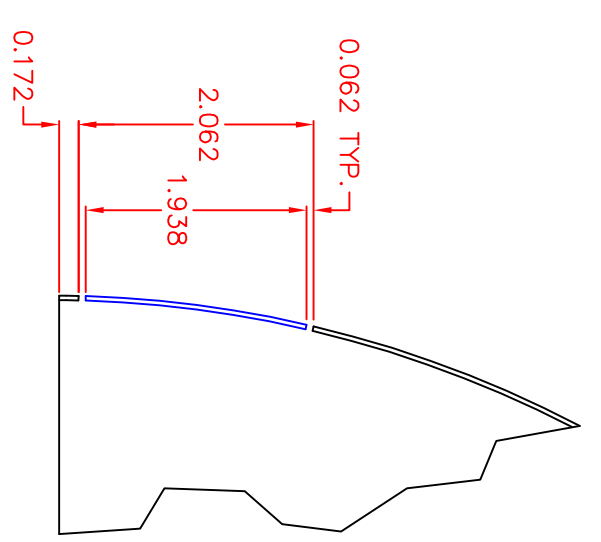
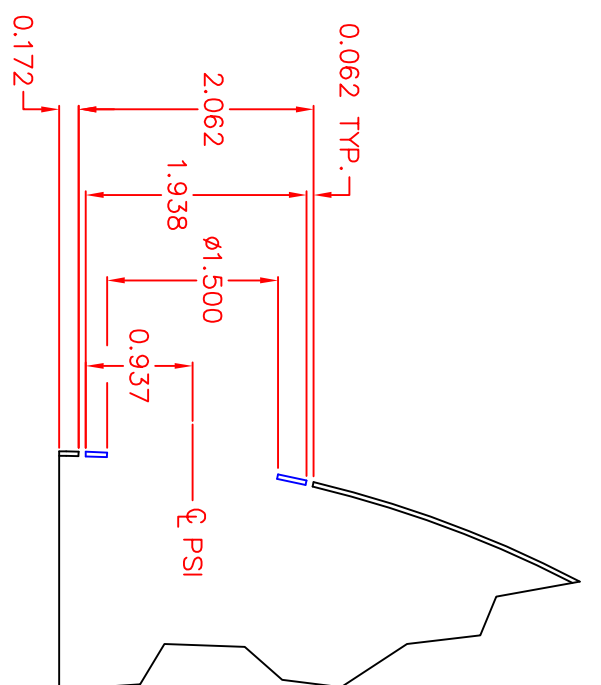


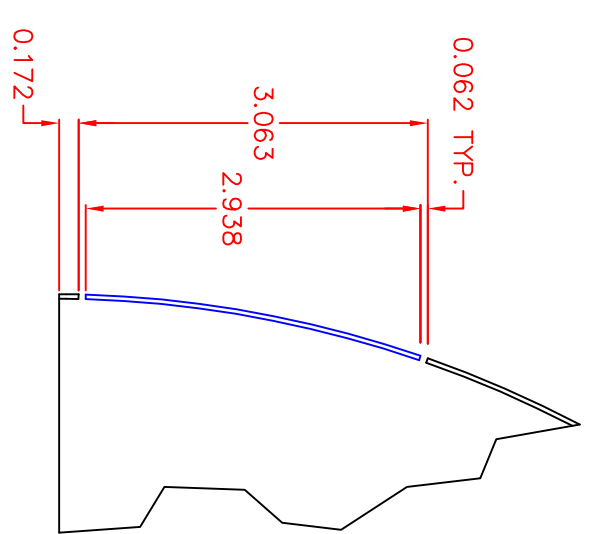
NOT OFFICIAL



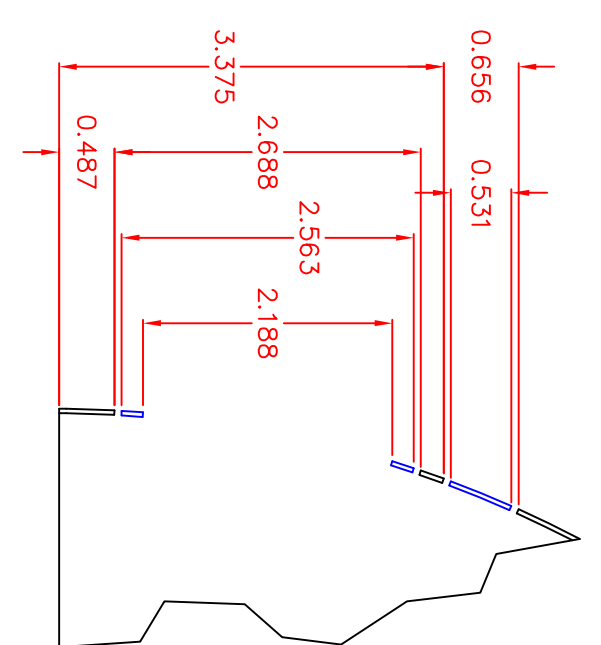
SECTION A-A  
PANEL 1



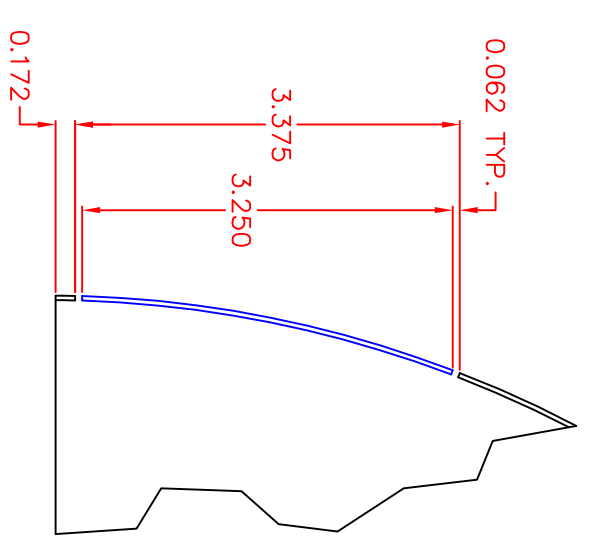
SECTION B-B  
PANEL 2  
FRONT PSI



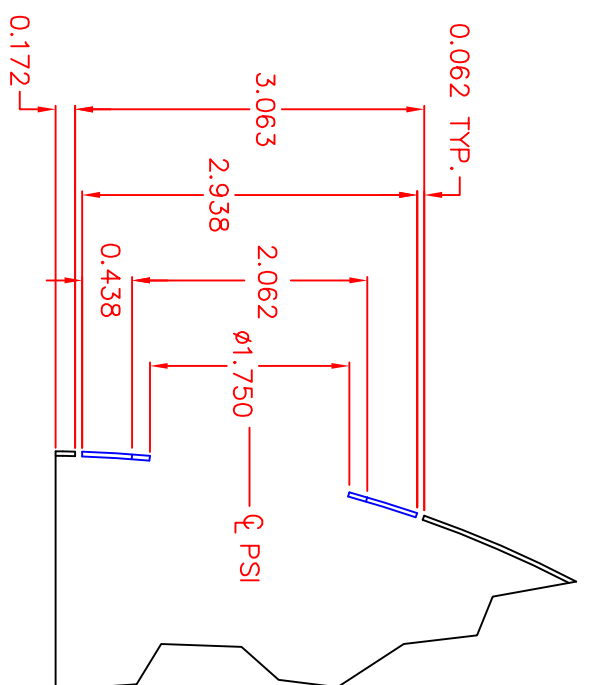
SECTION D-D  
PANEL 3, 4, 5, 6, 15, & 16



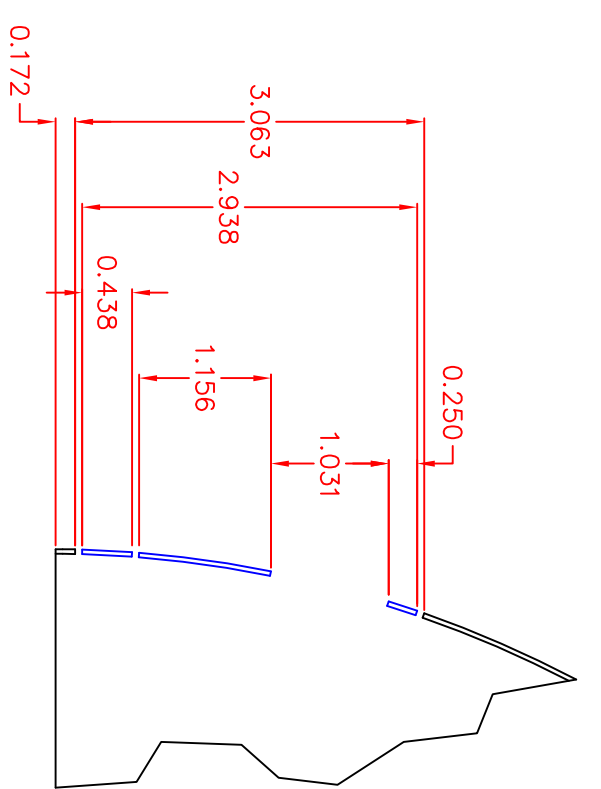
SECTION E-E  
PANEL 7 & 8



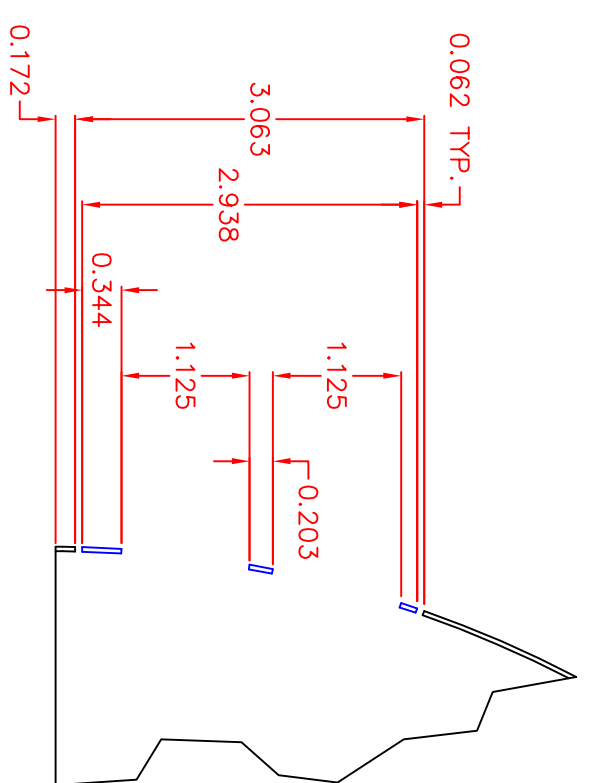
SECTION F-F  
PANEL 9



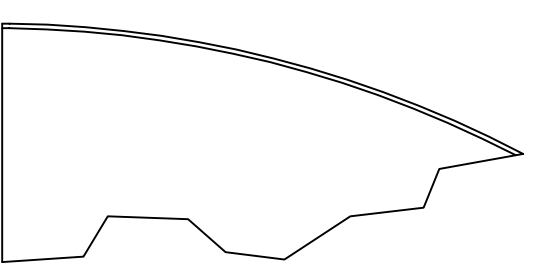
SECTION G-G  
PANEL 10 & 11  
REAR PSI



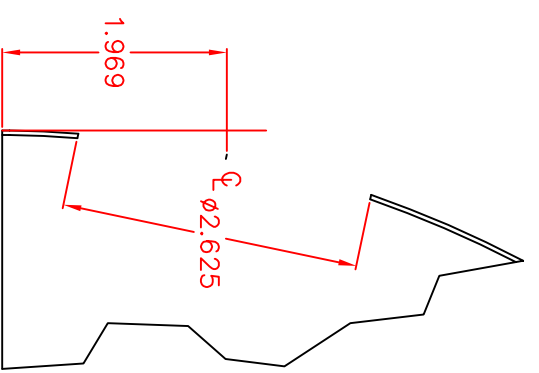
SECTION J-J  
PANEL 12, 13 & 14  
LARGE LOGIC DISPLAY



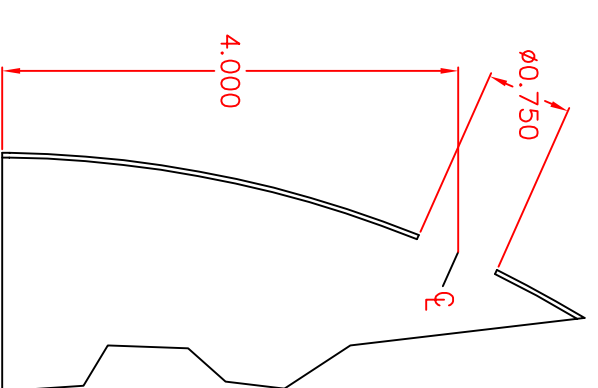
SECTION K-K  
PANEL 17  
SMALL LOGIC DISPLAY



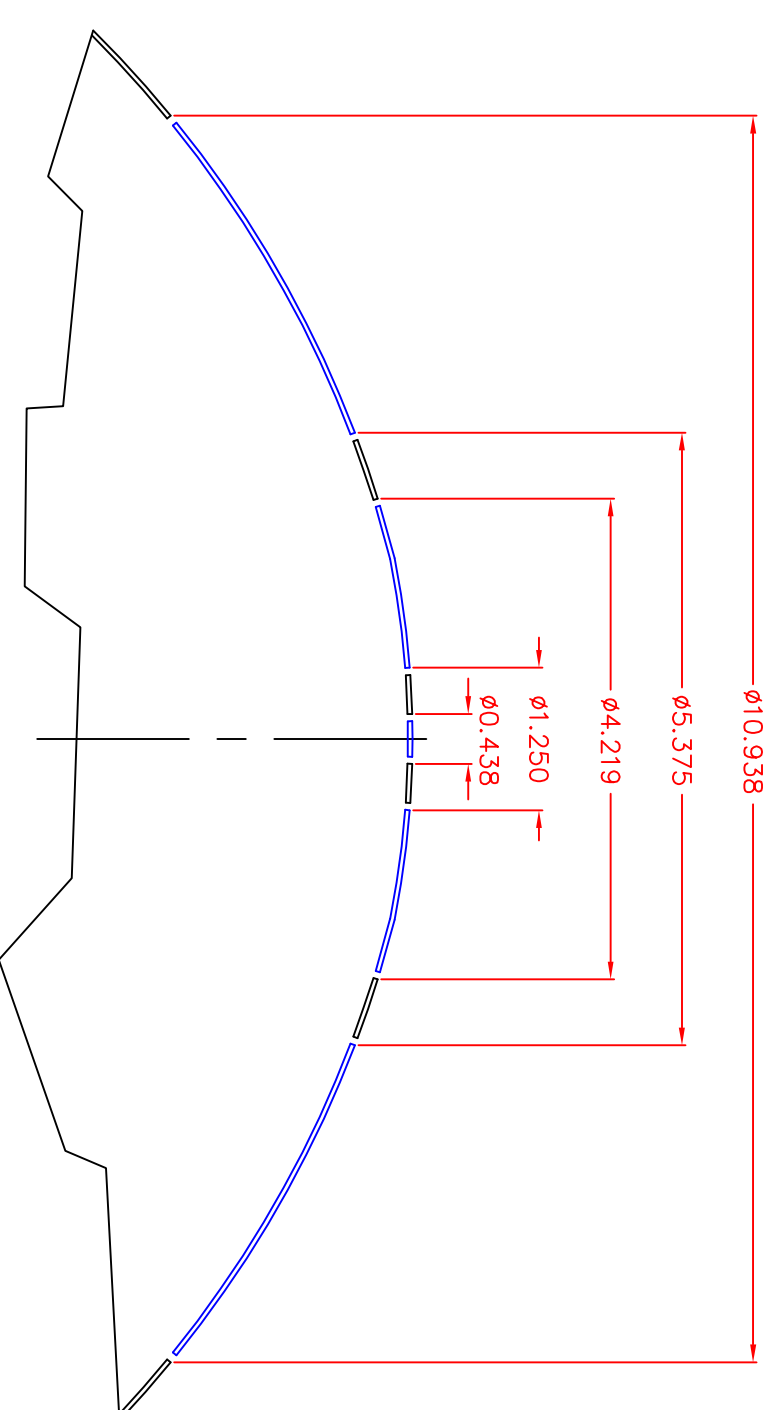
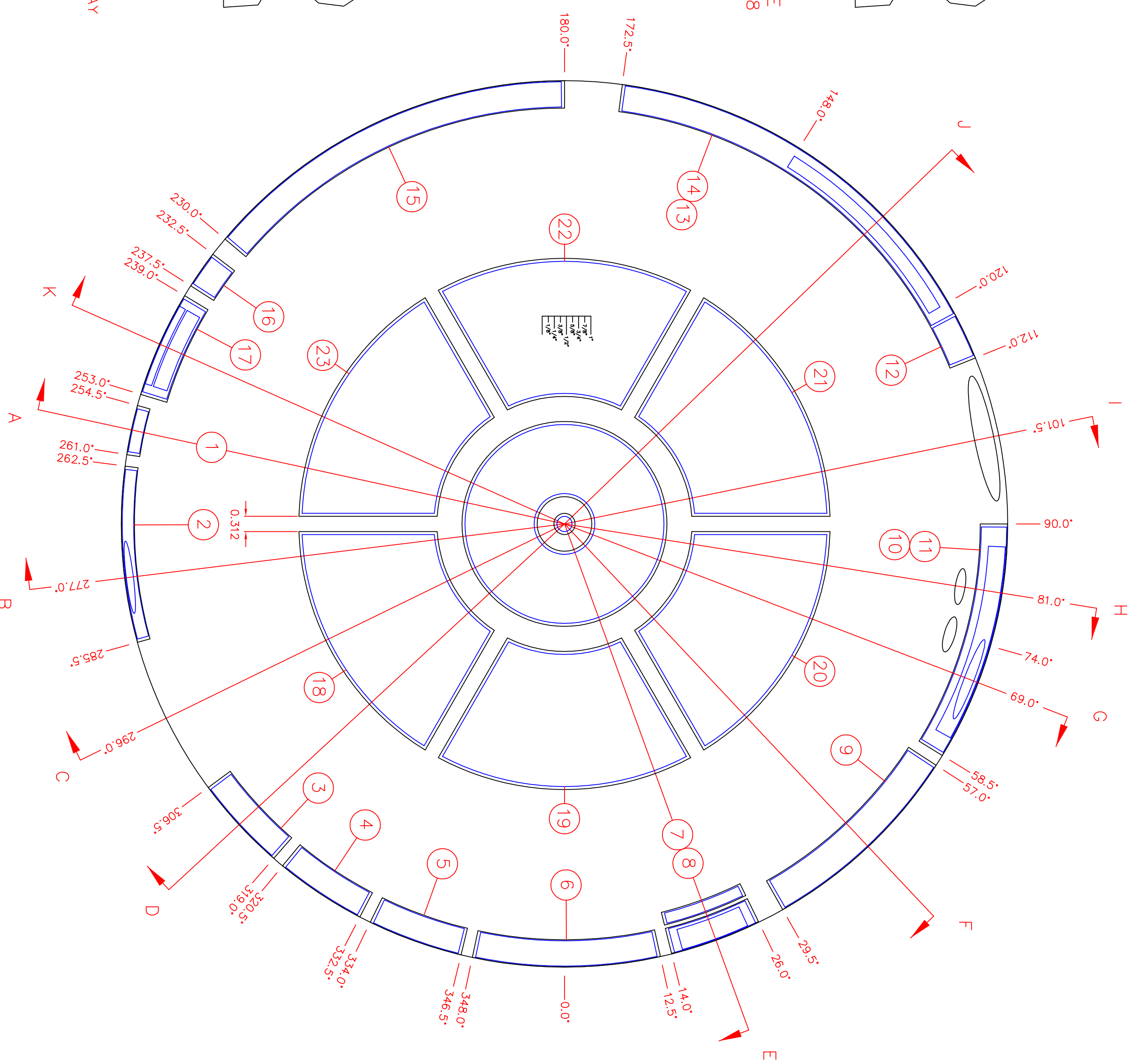
SECTION C-C  
HP1



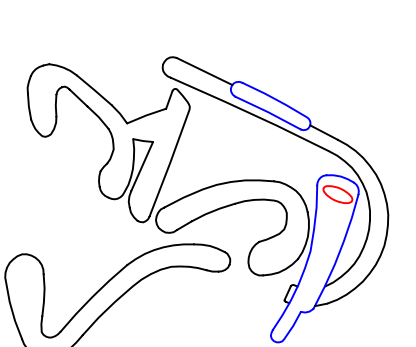
SECTION I-I  
HP3



SECTION H-H  
DOME BUMPS



LAYOUT  
DOME



R2-D2 BUILDERS CLUB  
DRAWING NO.

ASTROMECH DROID A

SCALE: FULL DRAWN: JULY 2005 SHEET: 1 OF 1

